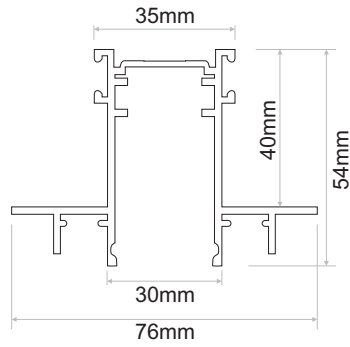


Click It **Trimless Track**

Code	Model	Length	Colour
CLK.001	Click It Trimless Track	2m	Black
CLK.002	Click It Trimless Track	3m	Black
CLK.004	Click It Trimless Track	2m	White
CLK.005	Click It Trimless Track	3m	White

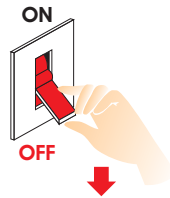


1



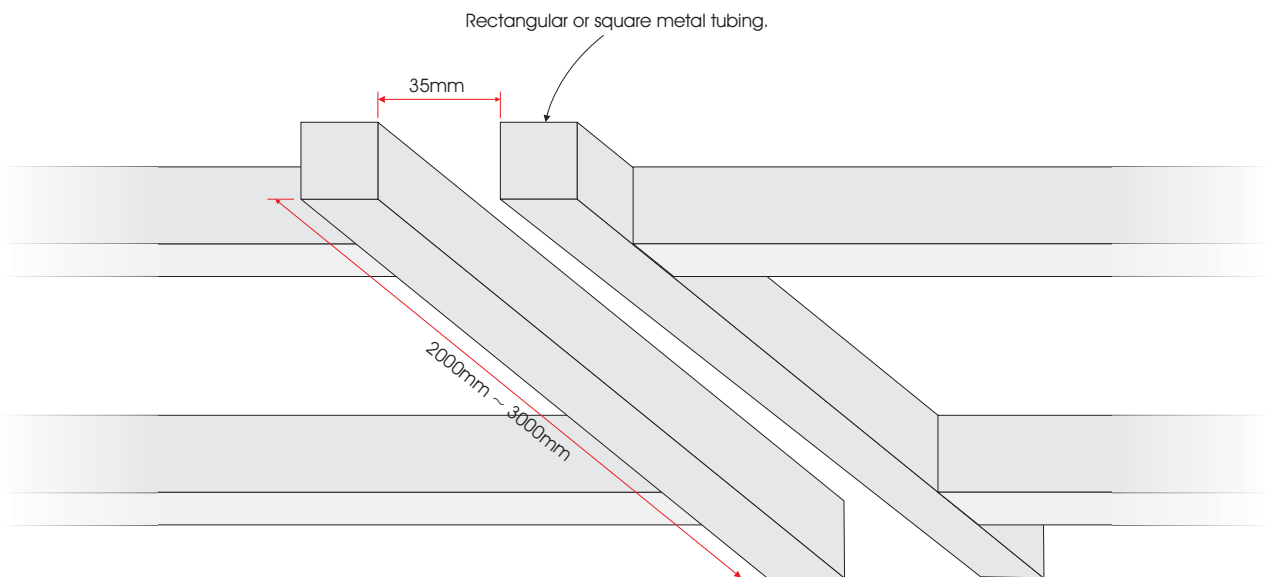
Attention

Before any maintenance switch off the main power.

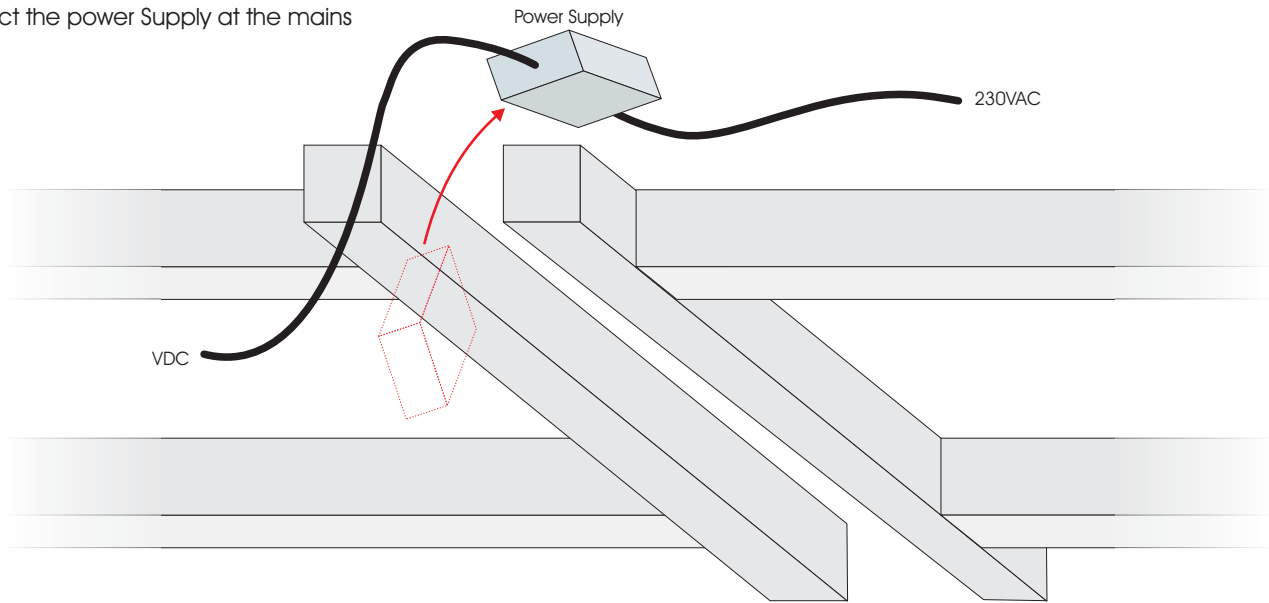


2

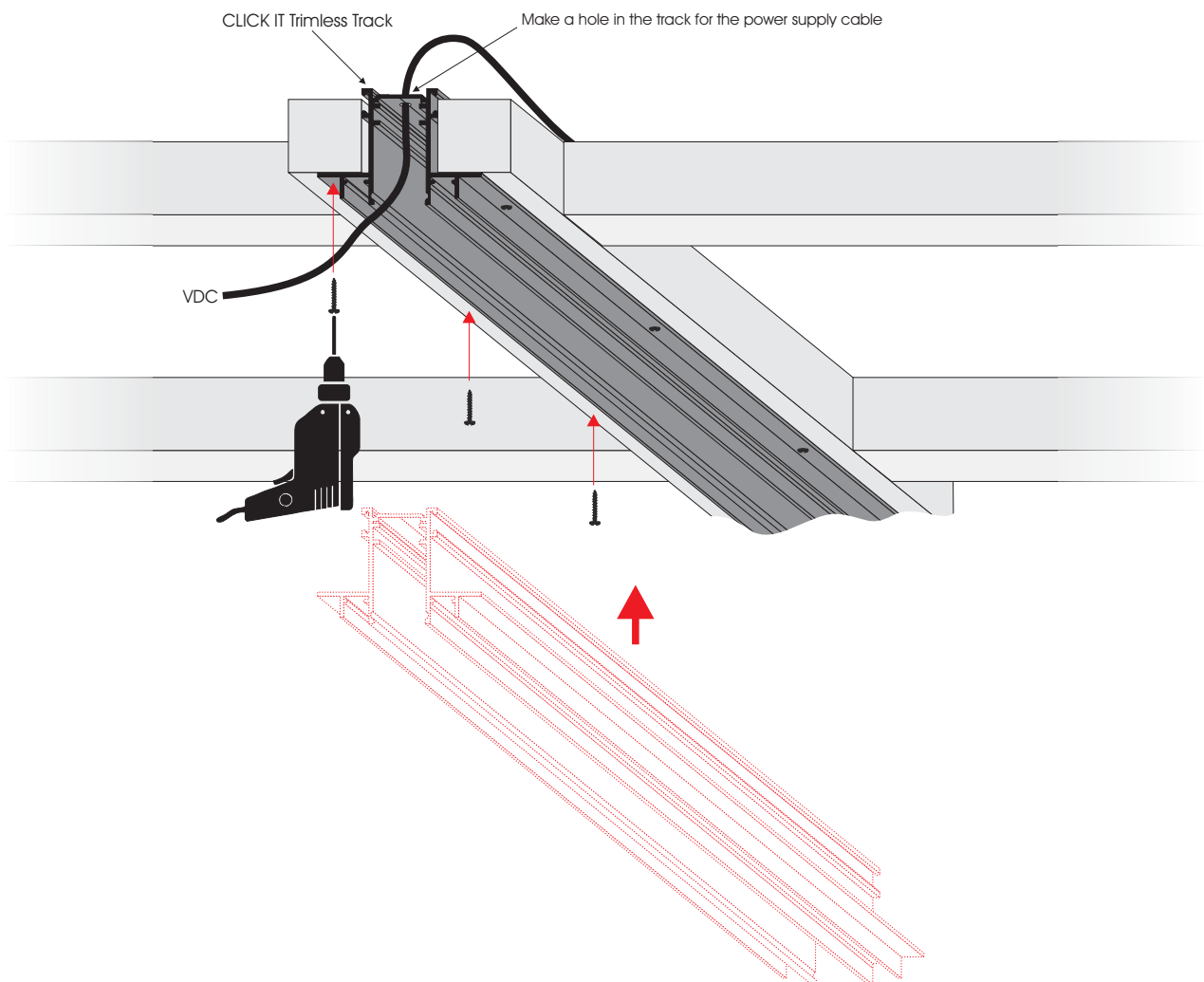
Make the metal tubing base.



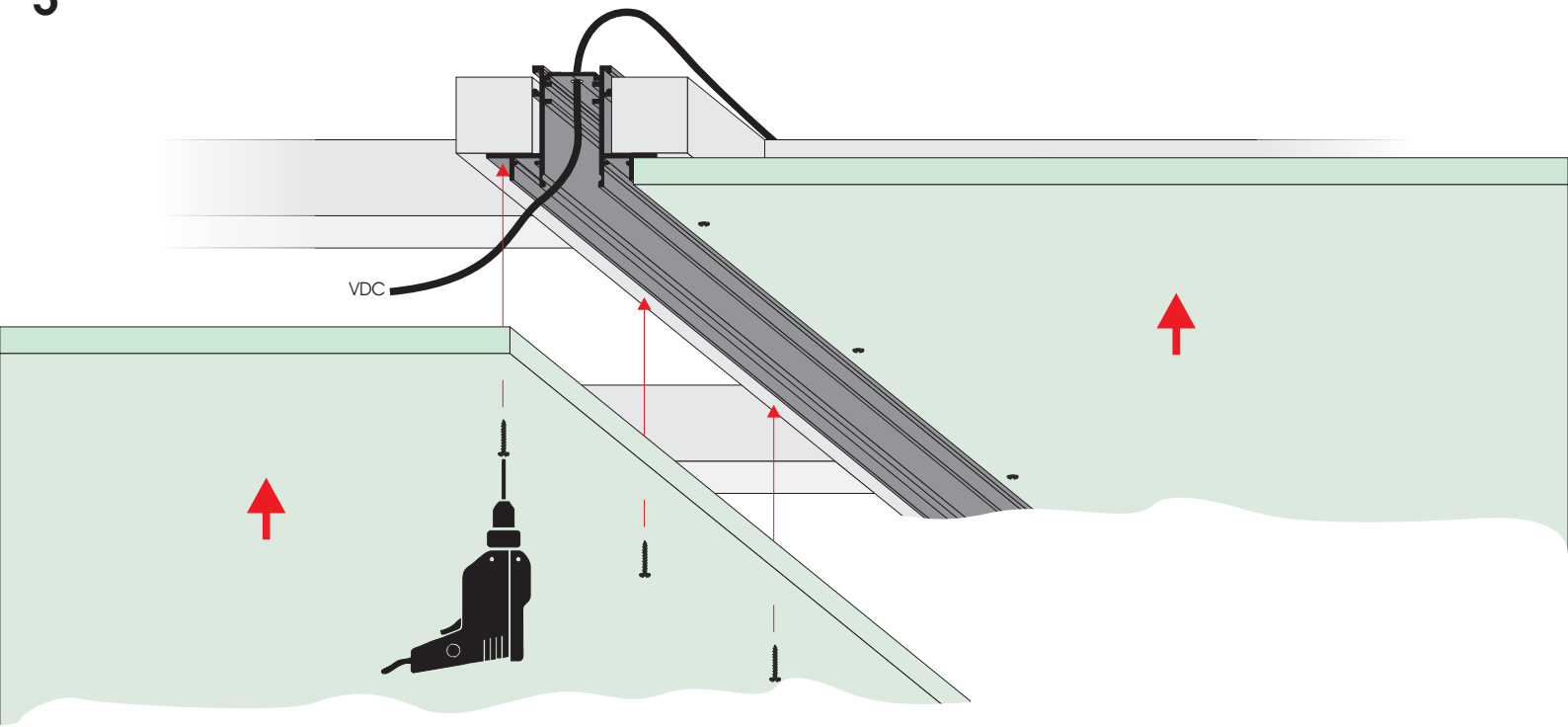
3 Connect the power Supply at the mains



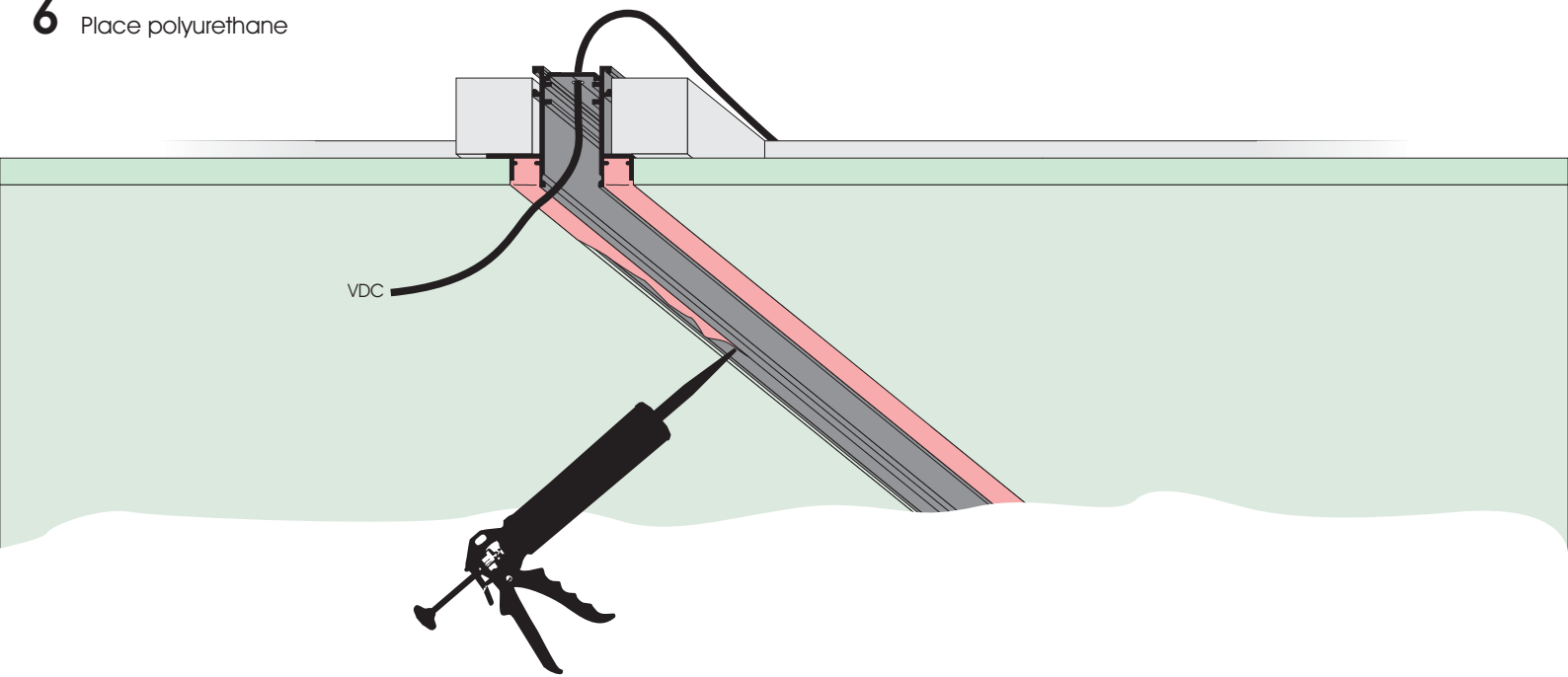
4



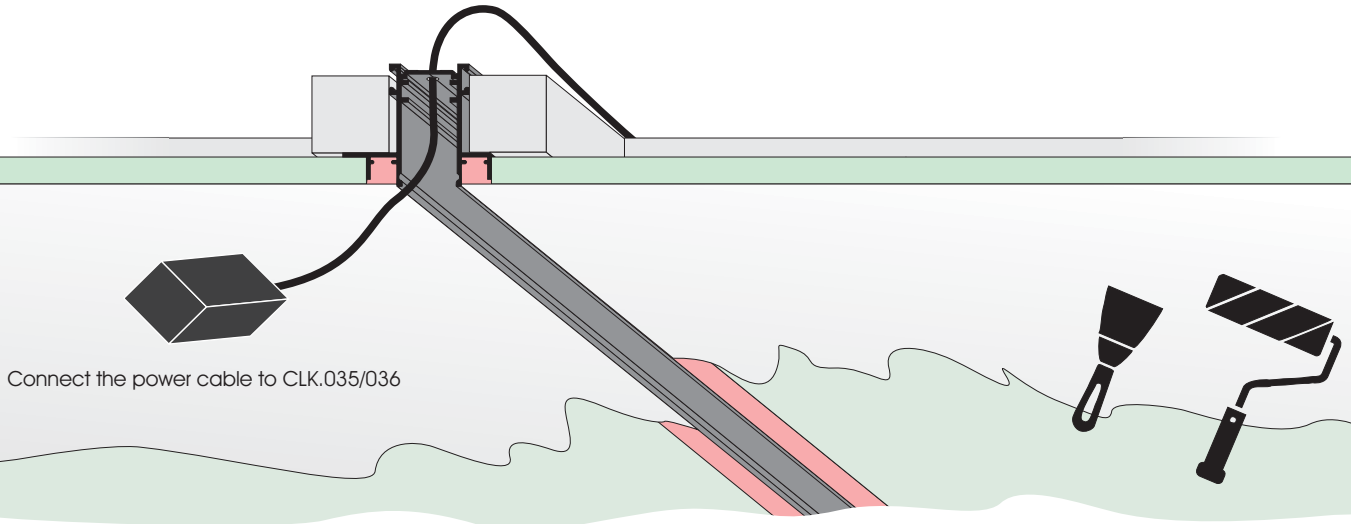
5



6 Place polyurethane



7



Connect the power cable to CLK.035/036



- CLK.035** Live end no cable / straight connector Black
- CLK.036** Live end no cable / straight connector White

8

